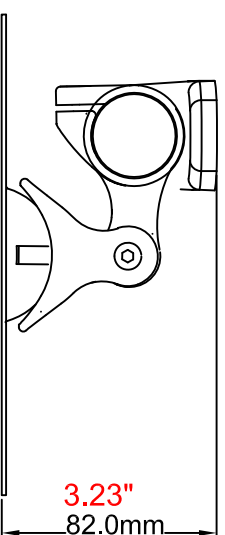
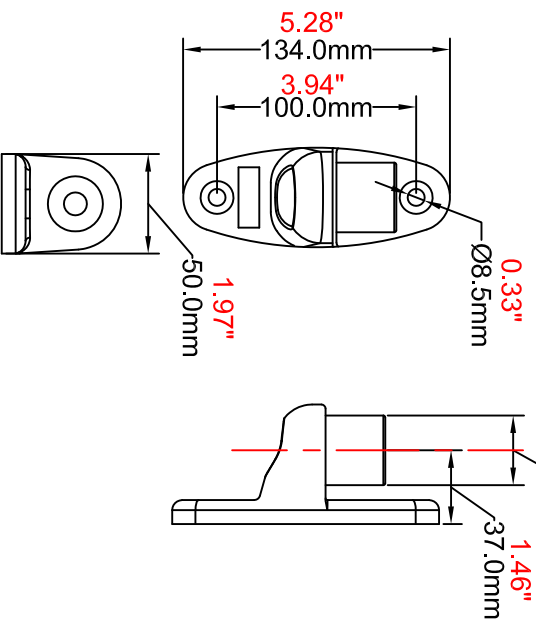


Wall Holder



ZILLA

2009 Zilla Technology Co., Ltd.
All rights reserved.
Content is subject to change
without notification.

| | |
|--------------------------------|---------------|
| PRT.Name: | Rev: NR |
| DWG.NO: WMA-100 | Unit: mm/inch |
| Scale: Third Angle Projection | Material: |
| Drawn BY: Tang 20112/2/12 | Thickness: |
| Checked BY: Zhang 20112/2/16 | S/Treatment: |
| Approved BY: Billal 20112/2/29 | |